

Software Engineering Conference Russia
October 2017, St. Petersburg



Develop IoT apps using the Node-RED visual tool

Clemence Lebrun, IBM

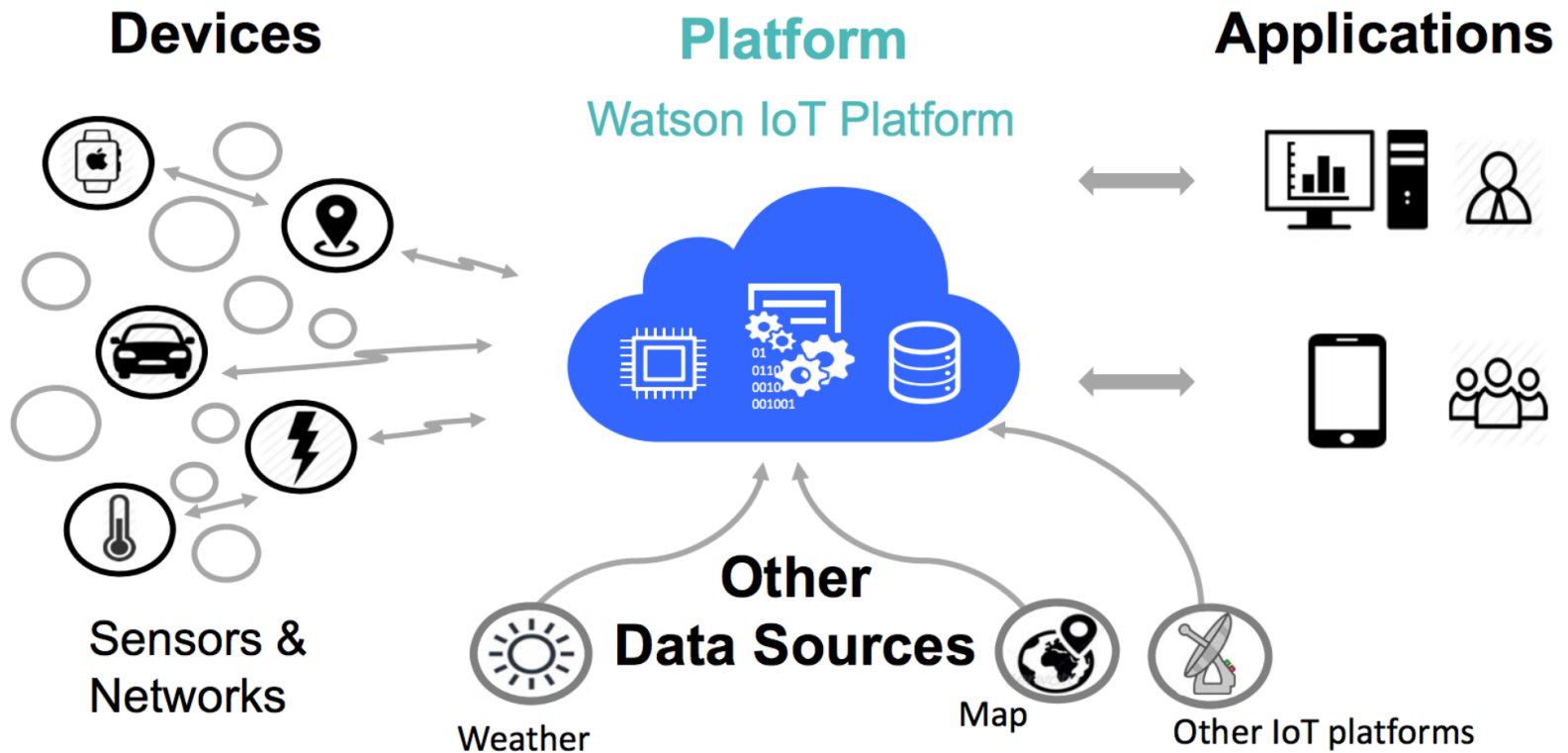


Clemence Lebrun, Developer & Developer Advocate
IBM Digital Business Group Europe

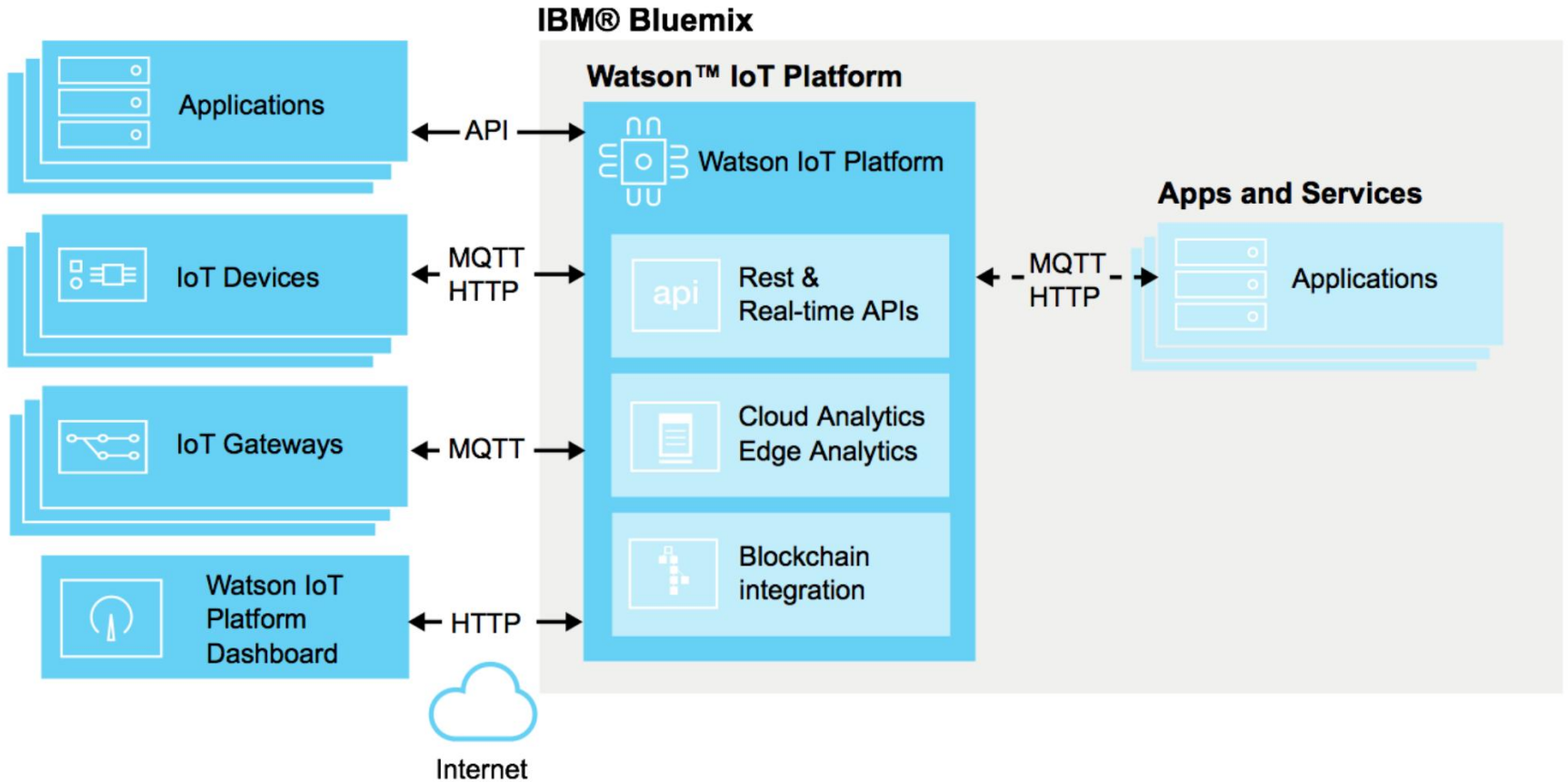
clemence.lebrun@fr.ibm.com |  @ClemenceLebrun |  cllebrun



What is an IoT platform ?



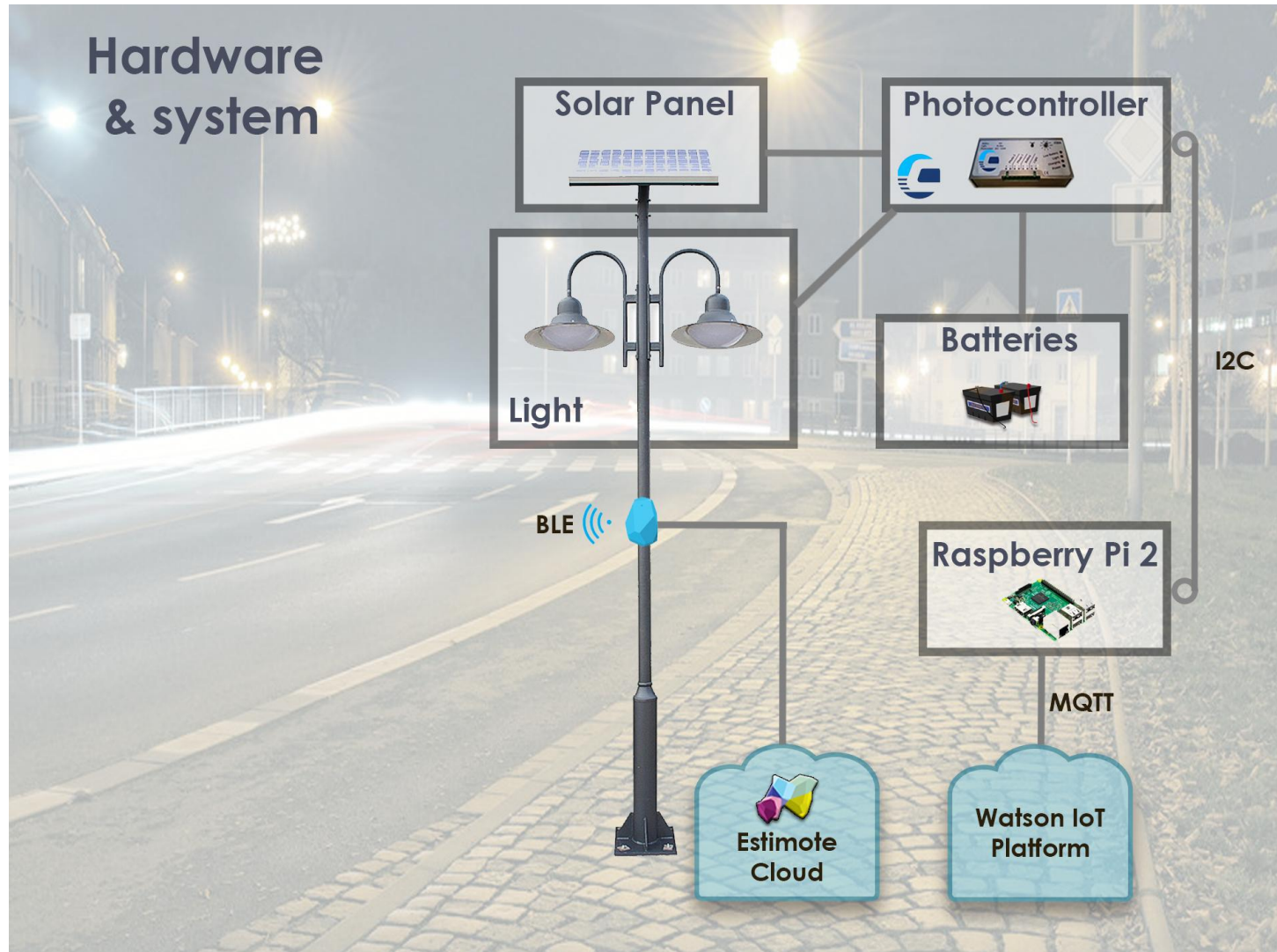
Architecture



Example: The Connected Street Light



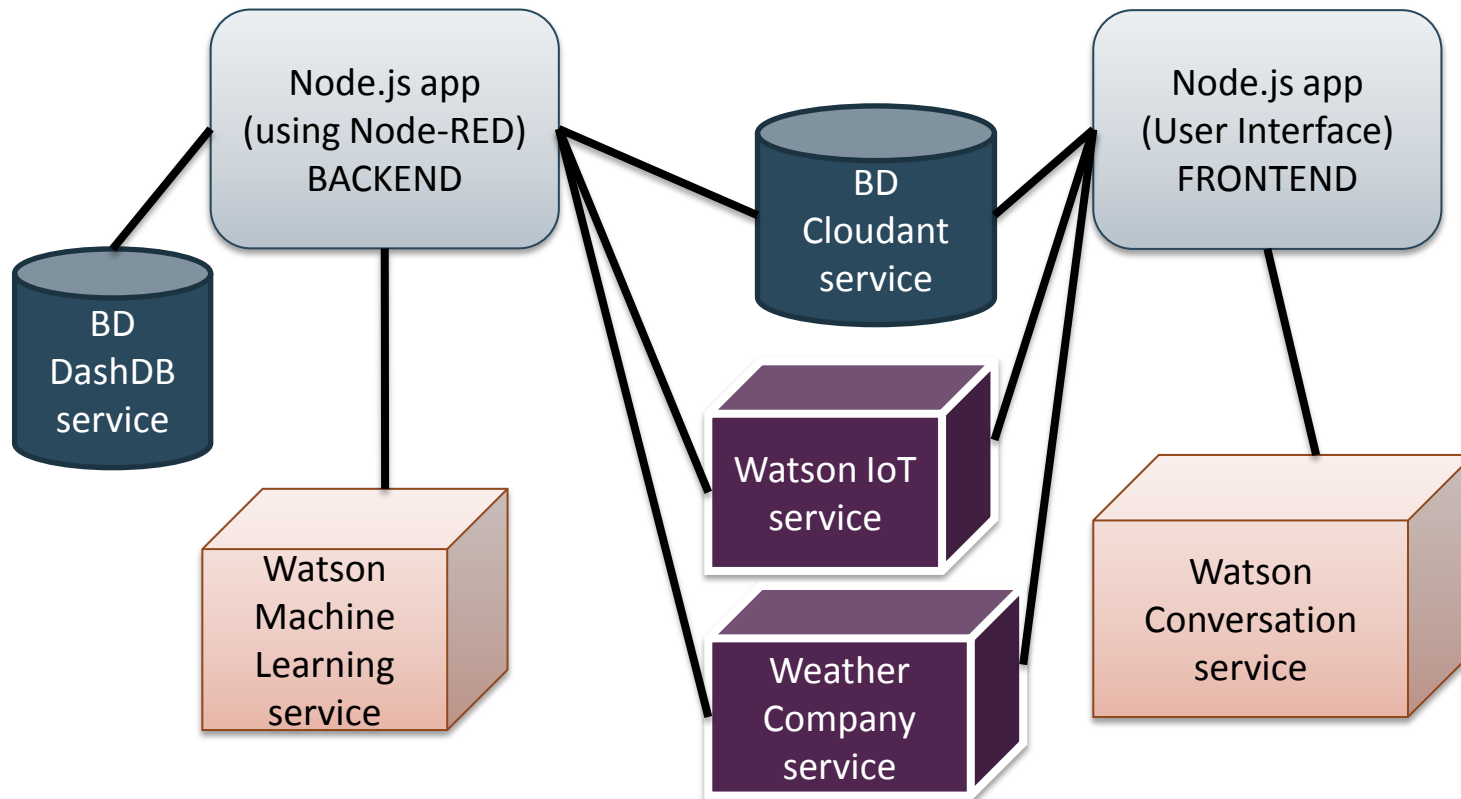
Example: The Connected Street Light



Example: The Connected Street Light

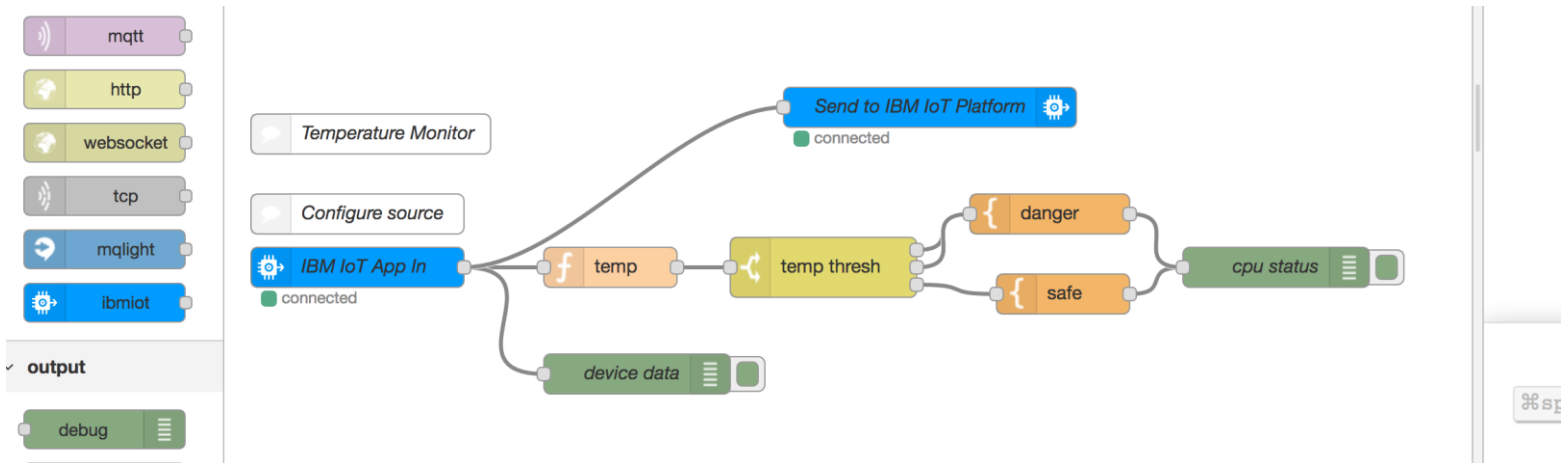


Example: The Connected Street Light



How to quickly get started ?

1. Connect to Bluemix
2. Create a ready IoT boilerplate app: Node.js Runtime + IoT platform service → Node-RED app



3. Connect your device to your IoT organization
4. Start to create workflows using Node-RED and your real time data
5. Use other Bluemix APIs to add value to your app

Bluemix differentiators

Differentiate Bluemix from Amazon Web Services, Microsoft Azure, Heroku, Openshift?

- 1 Bluemix has the whole package: scalability, performance, and wide range of services, including **130+ services**
- 2 **Complete Cloud platform** with IBM services and third party services built on top of different runtime options (Bare Metal, VMs, Containers, Cloud Foundry, OpenWisk)
- 3 IBM software **catalog** : proven IBM on premise solutions are now also available as service
- 4 IBM unique **services**: such as Watson and Cognitive, Decision Services, IoT, Node-Red, API Connect and Integration services
- 5 With **SoftLayer integration**, which is a high performance public cloud, IBM propose also Docker Containers and VMs that can be used to host applications and services
- 6 **IBM support and consultation**

Watson IoT Platform differentiators

Enterprise-ready components to connect, secure, provide data insight, assemble and manage IoT Applications

Industry Leading Analytics

- **Watson-inside** – machine learning and cognitive
- **Industry models** – deep, industry-specific analytics models
- **Third party data sources** – leading the industry at partnering with outside data providers (e.g. Weather Company)
- **Industry Integrations** – easily push and pull data from leading industry solutions, both IBM's and its partners'

Unmatched Scale and Scope

- **Global data centers** – 40+ data centers across the globe
- **Low latency** and high throughput at enterprise scale
- **Hybrid** delivery form factors... **public cloud, dedicated cloud, on premise**
- **Bluemix and Softlayer** – built to work on IBM's core cloud offerings but also deliver the transactional scale required by the new world of IoT

Most Trusted IoT Platform

- **Device neutral** – IBM does not compete with its sensor, gateway, network, and processor partners
- **Built on open standards**
- **Data neutral** – IBM's business model does not depend on owning its customer's data
- **Privacy protection and access control**
- **Platform of Platforms** – IBM is committed to integrating with other leading platforms so customers are not forced to chose proprietary tech stacks
- **IoT specific security** – security micro-services built specifically for IoT-based solutions

To Learn more about Bluemix and IoT

- Try one of the [DeveloperWorks recipies](#)
- How to integrate with the [Watson IoT service](#)
- Check the swagger [APIs](#)
- Try [Bluemix](#) !
- Watson IoT Platform: [from sensors to Insights!](#)